


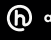




**Explanation of Markings**

- 1  at height uk
- 2 CTxxx.x
- 3 EN 795: 2012/B 
- 4 xxx - xxxmm
- 5  0598
- 6 XYZZZZZ
- 7 

**Labelling & Markings**

 at height uk CE 0598

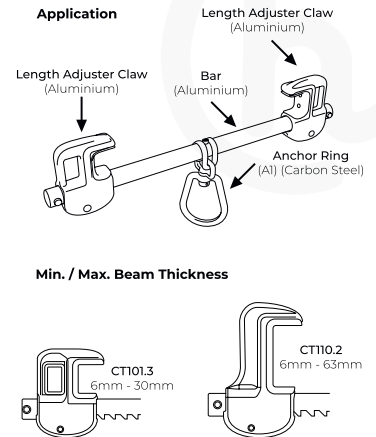
Model: CTxxx.x  
EN 795: 2012/B   
I-Beam Dimensions: xxx - xxxmm

Serial Number: YYYZZZZZ 

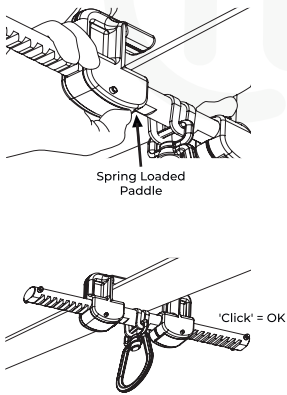
A	B	C	D
Oil or Chemicals	E	F	G

Model	CT101.3	CT110.2
Dimensions	105 - 310mm	305 - 750mm
Max. Working Load	140kg	140kg
Material	Aluminium	Aluminium
Weight	1.5kg	2.2kg

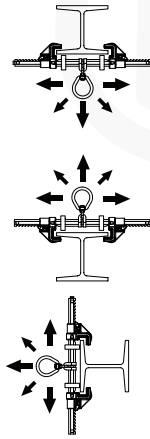
**Application**



**Operation Procedure**



**Acceptable Loading Conditions**



**Product Inspection Record Card Example**

Date	OK? (If no, report defects here)	Name & Signature	Date of Next Examination
Product Type and Identification Number	Year of Manufacture	Year of Purchase	Date of First Use

**Application**

The sliding I beam clamp is used as an anchor point for fall protection and for rope access. This device is for use by one person and two persons in the event of a rescue.

**Markings:**

- 1 Manufacturers Identification - At Height Ltd, 41c Underbank Old Road, Holmfirth, HD91AS, United Kingdom
- 2 Product Code
- 3 European Harmonized Standard
- 4 Max. Product Dimensions
- 5 CE Mark and notified body number
- 6 Year of Manufacture, Batch Number, Serial Number
- 7 Book Pictogram - reminder that the end user should read and understand the supplied user instructions

**Labelling & Markings:**

- A Inspect equipment condition before use
- B Acceptable use of temperature range
- C Attach safety harness complying to EN361
- D Max. weight allowed is 140 kg
- E Keep away water, oil, chemicals, and electric
- F Do not disassemble this product or repair by yourself
- G Store the anchor device in a cool dry clean environment
- H Minimum strength of anchor structure should be 12kN

**WARNING!**

Working at height and related activities are inherently dangerous. It is the responsibility of any person using this equipment to learn, understand and practice the proper techniques for use of the equipment for its designated purposes. It is impossible for this document to cover every eventuality and incorrect use of this equipment may result in fatal consequences. This equipment should only be used by a competent person or a person specifically trained in its use. This equipment should not be used by persons with medical conditions that may affect the safety of the user. You are responsible for your own actions and any person using this equipment assumes all risks and full responsibility for all damages or injury which may result from the use of it. No responsibility will be accepted by At Height Ltd for damage, injury or death resulting from misuse. These instructions and pictograms show some of the common correct and incorrect methods of use; it is impossible to predict them all. There is no substitute for instruction by a trained and competent person. It is essential that a risk assessment is carried out prior to any use and a rescue plan shall be in place to deal with any emergencies that could arise during the work. If this product is resold outside the original country of destination the reseller should provide these instructions for use in the language of the country in which the product is sold.

**Before Use:**

- 1 Check the legibility of the product markings.
- 2 Check for loose, bent or damaged parts. It should be in good condition with tight screws and rivets.
- 3 Check the Anchor ring is not damaged or loose but ensure that it can swivel.

**During Use:**

**Operation Procedure -**  
Install Beam Slider onto the I-Beam using the spring loaded paddles in the length adjuster claw. Ensure that the device is fully engaged (with a 'click') but can slide freely. Then connect your fall protection/work positioning system to the anchor ring. It is essential for safety that the anchor device or anchor point should always be positioned in such a way as to minimise both the potential for falls and potential fall distance. Verify the free space required beneath the user at the workplace before each occasion of use, so that in the case of a fall, there will be no collision with the ground or other obstacle in the fall path.

**After Use:**

The need for regular periodic examinations, and that the safety of users depends upon the continued efficiency and durability of the equipment. Periodic examination frequency shall be at least every 12 months and should be conducted by a competent person .

**Cleaning, Storage and Transport**

This equipment should not be marked, modified or repaired by the user. Note: This equipment is not user maintainable.

**Cleaning:** if required clean with a mild household detergent and rinse in clean water. Thoroughly rinse and dry naturally in a cool ventilated room away from direct heat. Important: Cleaning is recommended after every use in a marine environment.

**Storage and transport:** this product should be stored in a clean, dry environment free from chemicals or corrosives and away from excessive heat or high humidity.

**Lifespan**

This is the maximum life of the product, subject to detailed conditions, that the Manufacturer recommends that the product should remain in service. Metal Products - Indefinite. However, this may be as little as a single use, (or even earlier if damaged e.g. in transit or storage prior to first use) when considering the following criteria: fall arrest, general wear, chemical contamination, corrosion, mechanical malfunction/ deformation, cracks, loose rivets, heat contamination (over normal climatic conditions), clear and readable marking (e.g. marking, batch reference, individual serial numbers etc). It is essential for safety that equipment is withdrawn from use immediately should:

- 1) any doubt arise about its conditions/function for safe use or
- 2) it have been used to arrest to fall and not used again until confirmed in writing by a competent person that it is acceptable to do so.

Materials used are primarily steel and aluminium. This equipment is designed for use in normal climatic conditions (-40°C - +50°C). This equipment should not be used outside of its limitations or for any purpose other than that which it is intended. Danger may arise from the use of combinations of items of equipment in which the safe function of any one item is affected by or interferes with the safe function of another.

**Declaration of Conformity**

At Height Ltd declares that the products described above conform to the EU Regulation 2016/425 Personal Protective Equipment. EU type examination (module B) was carried out by

SGS Fimko Oy,  
(NB0598) Takomotie 8,  
FI-00380 Helsinki,  
Finland.

according to applicable standard

EN795:2012/B

and the conformity assessment procedure (Module D) is conducted by

SGS Fimko Oy,  
(NB0598) Takomotie 8,  
FI-00380 Helsinki,  
Finland.

Declaration of conformity can be found in the product datasheets at [www.atheightuk.com](http://www.atheightuk.com)


CT101.3 and CT110.2 are tested according to CEN/TS 16415:2013 type B (anchor devices for use by 2 persons in a rescue) by

SATRA Technology Centre UK

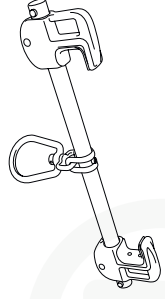
who issued a Test Report SPC03348472301 06/01/2023 and is available for download at [www.atheightuk.com](http://www.atheightuk.com)

**Beam Slider**  
CTxxx.x

Manufactured & Supplied by  
[www.atheightuk.com](http://www.atheightuk.com)



at height uk  
[www.atheightuk.com](http://www.atheightuk.com)  
info@atheightuk.com





At Height Ltd  
41c Underbank Old Road,  
Holmfirth, HD91AS  
United Kingdom